

## Modular Cooking Range Line EVO700 2-Hot Plates Electric Boiling Top Range

ITEM # \_\_\_\_\_

MODEL # \_\_\_\_\_

NAME # \_\_\_\_\_

SIS # \_\_\_\_\_

AIA # \_\_\_\_\_



372014 (Z7ECED2R00) 2-hot plate (2,6 kW each)  
electric boiling top

372126 (Z7ECED2R0N) 2-hot plate (2,6 kW each)  
electric boiling top

### Short Form Specification

Item No. \_\_\_\_\_

To be installed on open base installations, bridging supports or cantilever systems. Two 2.6 kW cast-iron hot plates hermetically sealed to the one-piece top. Exterior panels in stainless steel with Scotch Brite finish. One piece pressed work top in 1.5 mm thick stainless steel. Right-angled side edges to allow flush-fitting junction between units.

### Main Features

- Unit to be mounted on open base cupboards, bridging supports or cantilever systems.
- The two 2.6kW cast-iron plates are hermetically sealed to the one-piece top.
- The special design of the control knob system guarantees against water infiltration.
- IPx4 water protection.
- Suitable for countertop installation.

### Construction

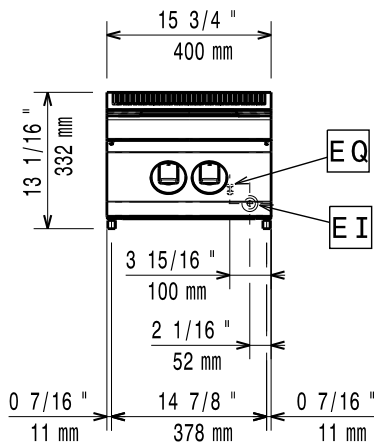
- One piece pressed 1.5 mm work top in Stainless steel.
- Model has right-angled side edges to allow flush fitting joints between units, eliminating gaps and possible dirt traps.
- External panel in Stainless Steel with Scotch Brite finish.

APPROVAL: \_\_\_\_\_

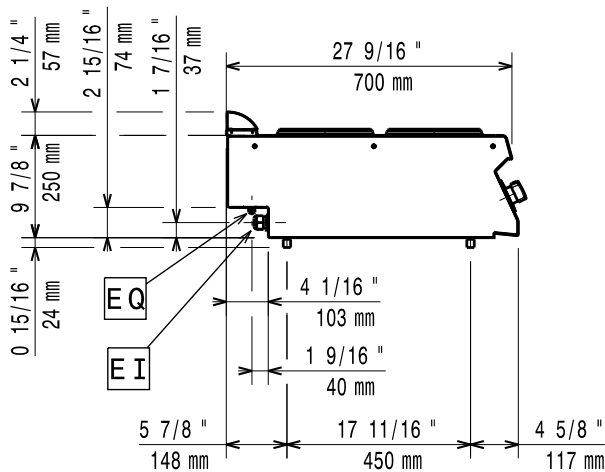
**Optional Accessories**

- Junction sealing kit (only for 372014) PNC 206086
- Support for bridge type installation, 800 mm (only for 372014) PNC 206137
- Support for bridge type installation, 1000 mm (only for 372014) PNC 206138
- Support for bridge type installation, 1200 mm (only for 372014) PNC 206139
- Support for bridge type installation, 1400 mm (only for 372014) PNC 206140
- Support for bridge type installation, 1600 mm (only for 372014) PNC 206141
- Support for bridge type installation, 400 mm (only for 372014) PNC 206154
- Frontal handrail 400 mm (only for 372014) PNC 206166
- Frontal handrail 800 mm (only for 372014) PNC 206167
- Large handrail (portioning shelf) 400 mm (only for 372014) PNC 206185
- Large handrail (portioning shelf) 800 mm (only for 372014) PNC 206186
- Frontal handrail 1200 mm (only for 372014) PNC 206191
- Frontal handrail 1600 mm (only for 372014) PNC 206192
- Right and left side handrails (only for 372014) PNC 206240
- Water column with swivel arm (water column extension not included) (only for 372014) PNC 206289
- Water column extension (only for 372014) PNC 206291
- Chimney upstand, 400 mm (only for 372014) PNC 206303
- 2 side covering panels, height 250 mm, depth 700 mm (only for 372014) PNC 206320
- Chimney grid net, 400mm (only for 372014) PNC 206400

**Front**

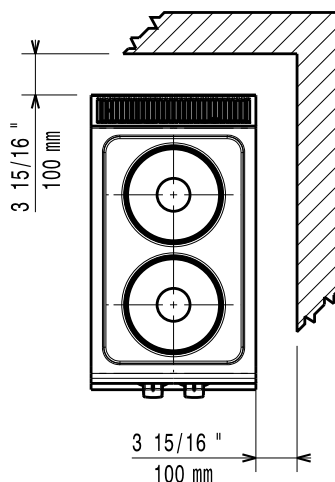


**Side**



EI = Electrical inlet (power)  
EQ = Equipotential screw

**Top**



**Electric**

**Supply voltage:**

372014 (Z7ECED2R00)	380-400 V/3 ph/50-60 Hz
372126 (Z7ECED2RON)	230 V/3 ph/50/60 Hz

**Predisposed for:**

<b>Total Watts:</b>	5.2 kW
---------------------	--------

**Key Information:**

If appliance is set up or next to or against temperature sensitive furniture or similar, a safety gap of approximately 150 mm should be maintained or some form of heat insulation fitted.

<b>Net weight:</b>	20 kg
--------------------	-------

**Shipping weight:**

372014 (Z7ECED2R00)	23.8 kg
372126 (Z7ECED2RON)	23 kg

**Shipping height:**

372014 (Z7ECED2R00)	550 mm
372126 (Z7ECED2RON)	540 mm

**Shipping width:**

<b>Shipping depth:</b>	460 mm
------------------------	--------

**Shipping volume:**

372014 (Z7ECED2R00)	0.21 m <sup>3</sup>
372126 (Z7ECED2RON)	0.2 m <sup>3</sup>

**[NOT TRANSLATED]**

372014 (Z7ECED2R00)	EH72T
372126 (Z7ECED2RON)	N7CE1

**Front Plates Power:**

2.6 - 0 kW

**Back Plates Power:**

2.6 - kW

**Front Plates dimensions:**

Ø 230

**Back Plates dimensions:**

Ø 230